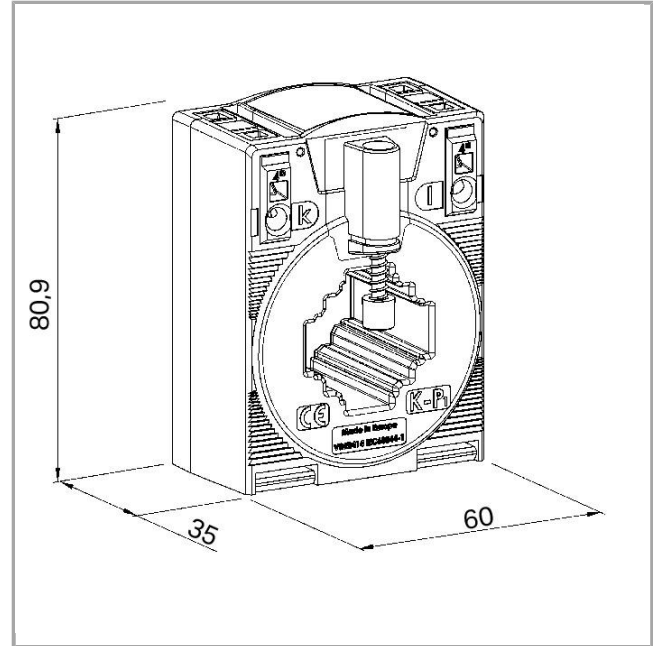


Data sheet | Item number: 855-305/300-501

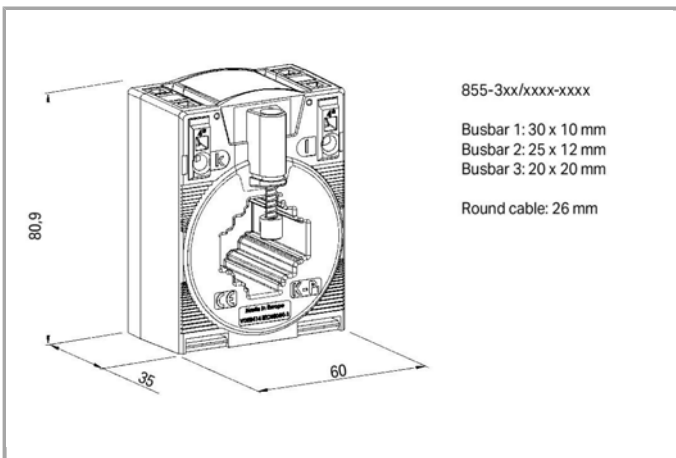
Plug-in current transformer; Primary rated current 300 A; Secondary rated current: 5 A; Rated power: 5 VA; Accuracy class: 1



855-305\_300-501



RoHS  Compliant [BOMcheck.net](https://www.bomcheck.net)



Item description

Short description:

The 855 Series Plug-In Current Transformers are inductive, single-conductor current transformers. Due to the measurement principle used, these current transformers are exclusively designed for AC network applications.

#### Features:

- Screwless CAGE CLAMP® connection technology
- Several mounting options available
- Vibration- and shock-resistant
- High mechanical retention forces
- High current-carrying capacity
- Continuous overload of 120 % the nominal primary current
- Low-voltage current transformer for operating voltages up to max. 1.2 kV
- Can be used in 690 V power networks
- UL recognized components

## Data

### Technical Data

#### Input – current transformer

Primary rated current	300 A
Rated continuous thermal current $I_{cth}$	$1.2 \times I_N$
Rated short-time thermal current $I_{th}$	$60 \times I_N / 1 \text{ s}$ (max. 100 kA / 1 s)
Overcurrent limiting factor	FS5 / FS10 (type dependent, see type plate inscription)
Rated frequency	50 60 Hz

#### Output – Current transformer

Highest voltage for equipment $U_m$	1.2 kV <sub>rms</sub> AC
Secondary rated current	5 A
Rated power $S_r$	5 VA

#### Measurement error

Accuracy class	1
----------------	---

#### Safety and protection:

Highest voltage for equipment $U_m$	AC 1.2 kV <sub>rms</sub>
Test voltage	AC 6 kV; 50 Hz; 1 min

## Connection data

Connection technology	CAGE CLAMP®
Solid conductor	0.08 4 mm <sup>2</sup> / 28 12 AWG
Fine-stranded conductor	0.08 4 mm <sup>2</sup> / 28 12 AWG
Strip length	9 10 mm / 0.35 0.39 inch

## Geometrical Data

Width	60 mm / 2.362 inch
Height	80.9 mm / 3.185 inch
Depth	52 mm / 2.047 inch

## Mechanical data

Type of mounting	Current transformers (closed) Secured to mounting plate Mounting on carrier rail via carrier rail adapter Mounting on round cable
------------------	--

## Material Data

Insulation class	E
Weight	230 g

## Environmental Requirements

Surrounding air (operating) temperature	-5 50 °C
Surrounding air (storage) temperature	-25 70 °C
Max. operating altitude	1000 m

## Standards and specifications

Conformity marking	CE
Standards/specifications	EN 61869-1; EN 61869-2; UL: E356480


## Commercial data

Country of origin	DE
GTIN	4055143389174
Customs Tariff No.	85043129900

## Approvals / Certificates









### UL-Approvals

Certificate

Logo	Approval	Additional Approval Text	name
	UL Underwriters Laboratories Inc.	-	E356480

## Compatible products


### General accessories

	<b>Item no.: 2007-8873</b> Compact terminal block; for current and voltage transformers; 6,00 mm <sup>2</sup> ; multicoloured	2007-8873
	<b>Item no.: 2007-8874</b> Compact terminal block; for current and voltage transformers; 6,00 mm <sup>2</sup> ; multicoloured	2007-8874
	<b>Item no.: 2007-8875</b> Compact terminal block; for current transformer circuit; 6,00 mm <sup>2</sup> ; multicoloured	2007-8875
	<b>Item no.: 2007-8876</b> Compact terminal block; for 3-phase current transformer circuit; 6,00 mm <sup>2</sup> ; multicoloured	2007-8876
	<b>Item no.: 2007-8877</b> Compact terminal block; for current transformer circuit; 6,00 mm <sup>2</sup> ; multicoloured	2007-8877
	<b>Item no.: 2857-570/024-005</b> 3-Phase Power Measurement Module; 3x400/690 V/5 A; Modbus RTU; Digital output; Configuration via software; Supply voltage: 24 VDC	2857-570 /024-005
	<b>Item no.: 857-550</b> Current signal conditioner; Current input signal; Current and voltage output signal; Digital output; Configuration via software; Supply voltage: 24 VDC; 6 mm module width; 2,50 mm <sup>2</sup>	857-550
	<b>Item no.: 857-569</b> Power signal conditioner; Current and voltage input signal; Current and voltage output signal; Digital output; Configuration via software; Supply voltage: 24 VDC; 6 mm module width	857-569

### assembling

	<b>Item no.: 855-9900</b> Carrier rail adapter	855-9900
	<b>Item no.: 855-9910</b> Quick-mount kit	855-9910

### tools

	<b>Item no.: 210-720</b> Operating tool; Blade: 3.5 x 0.5 mm; with a partially insulated shaft	210-720
--	---	---------

## Downloads

### Documentation

### Additional Information



Disposal; Electrical and electronic equipment, Packaging

V 1.0.0

pdf  
265.8 kB

[Download](#)

---

## Engineering-Software

### Software for Interface-Products

Interface-Konfigurationssoftware SMALL

1.6.2.11

exe

[Download](#)

Das Small-Setup beinhaltet nur die WAGO-Interface-Konfigurations-Software.

Jan 14, 2019

47.1 MB

---

Interface-Konfigurationssoftware FULL

1.6.2.11

exe

[Download](#)

Das Full-Setup beinhaltet neben der WAGO-Interface-Konfigurations-Software zusätzlich die Installation für das Microsoft .NET Framwork.

---

Jan 14, 2019

97.5 MB

## CAD/CAE - Smart Data

### CAD data

3D Download 855-305/300-501

URL

[Download](#)

---

### EPLAN

EPLAN Data Portal

[Download](#)

---

Subject to changes.

---